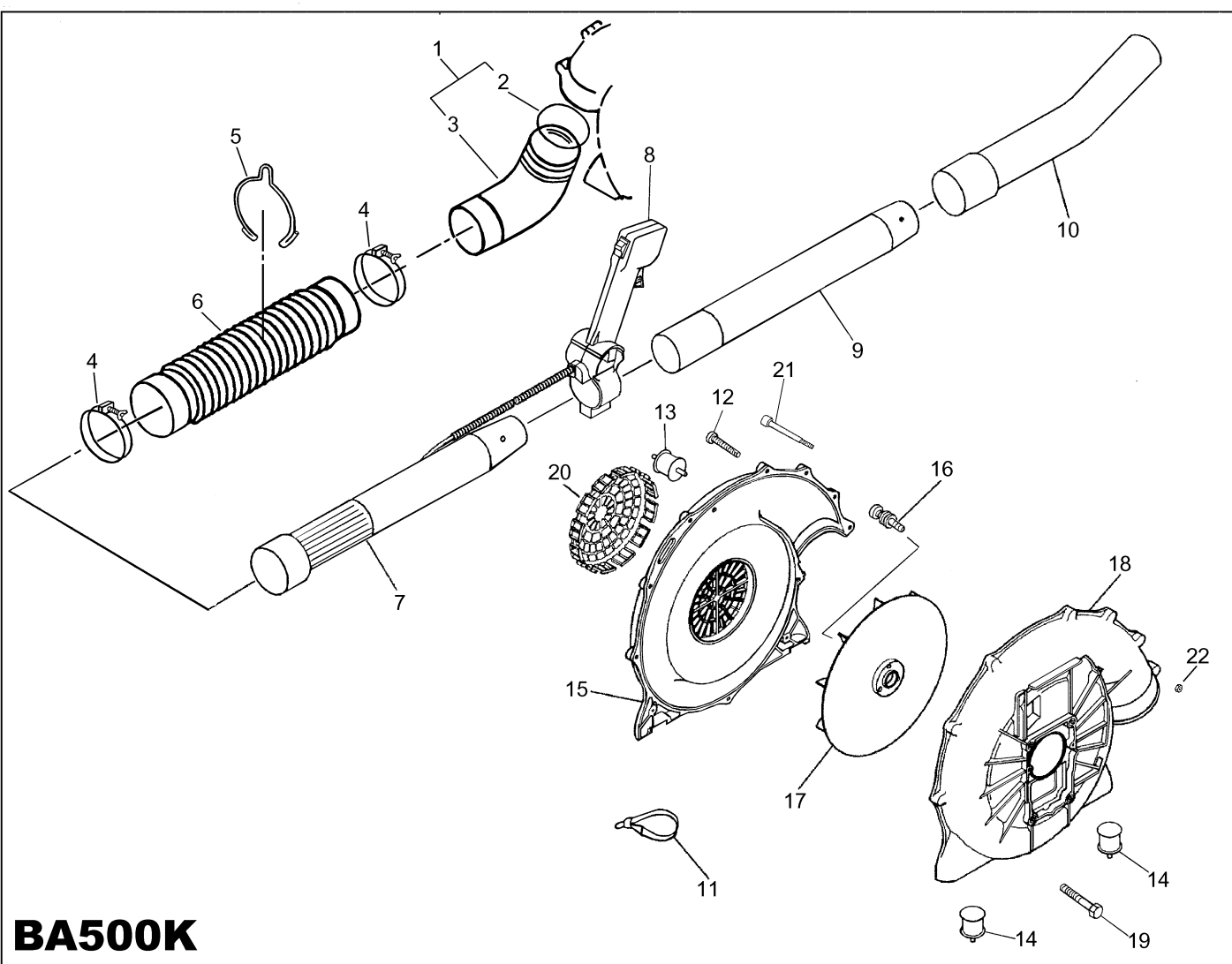




SOFFIATORE SARP

BA500K-20 TEX54

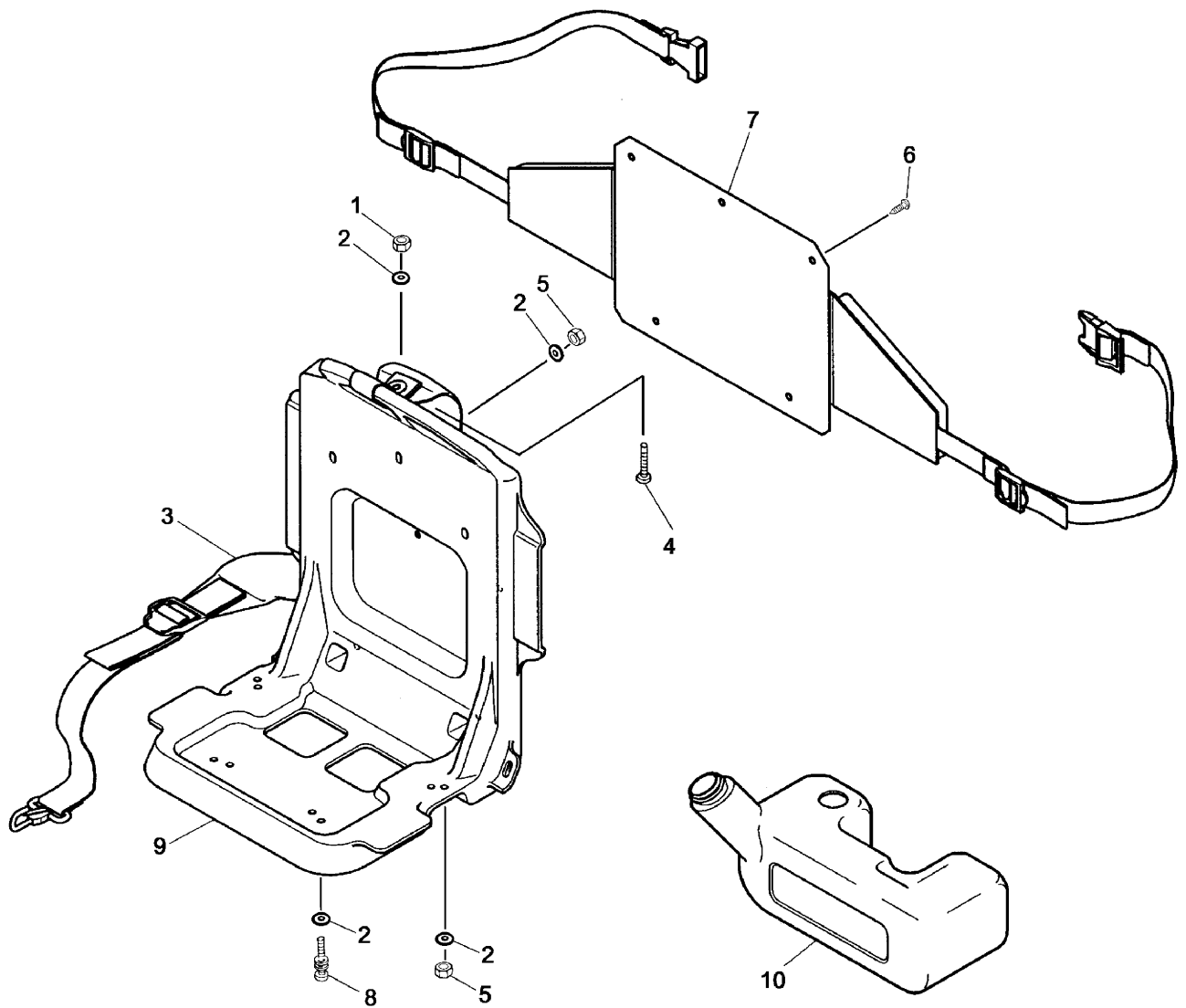
ESPLOSO RICAMBI



BA500K

PARTS LIST

NO.	PARTS NO.		PARTS NAME	Q'TY			Fab.20.2003		REMARKS
				INCLUDING	PRICE (¥)	RECOMM. (%)	1/1		
1	71214	101	ELBOW PIPE C.P.	1					
2	212B	8000	O-RING	1					
3	36086	102	ELBOW PIPE	1					
4	68031	120	HOSE BAND	2					
5	68026	106	WIRE CLAMP	1					
6	36084	101	FLEX. PIPE	1					
7	36087	104	BASE PIPE	1					
8	71056	208	THROTTLE LEVER ASS'Y	1					
9	36088	106	MIDDLE PIPE	1					
10	36089	103	BEND PIPE	1					
11	68028	102	WIRE BAND	1					
12	464L	0520	(+)TAPPING SCREW M5×20	9					
13	36005	163	VIBRO-ISOLATING RUBBER	1					
14	36005	164	VIBRO-ISOLATING RUBBER	2					
15	51123	184	FAN CASE	1					
16	31062	146	PRE-COAT LOCK BOLT	3					
17	51125	113	FAN	1					
18	51123	185	FAN CASE	1					
19	31062	144	PRE-COAT LOCK BOLT	4					
20	412L	0665	SOCKET SCREW M6×65	2					
21	572L	0600	NYLON NUT M6	2					
22	36083	102	FAN COVER	1					



BA500K

PARTS LIST

REF. NO.	PARTS NO.	PARTS NAME	Q'TY	Fab.20.2003		1/1
				PRICE	RECOMM.	REMARKS
			INCLUDING	(¥)	(%)	
1	569L 0600	FLANGE NYLON NUT M6	2			
2	68036 125	WASHER	7			
3	36063 196	SHOULDER BAND	2			
4	376L 0616	(+)TRUSS SCREW M6×16	2			
5	561L 0600	U-NUT M6	3			
6	68027 107	CLIP	5			
7	91027 128	KNAPSACK PAD	1			
8	375L 0616	(+)SCREW(W/SW) M6×16	2			
9	36122 124	KNAPSACK FRAME	1			
10	36066 114	FUEL TANK	1			

This catalog covers:
TEX54D-□C50

This fig. covers:
TITLE

PARTS CATALOG

2-STROKE ENGINE

TEX54D

PRODUCT CODE	NOTE
TEX54D-EC50	BLOWER (BP50LE)
TEX54D-FC50	
TEX54D-GC50	
TEX54D-HC50	

PARTS CATALOG INTRODUCTION

This parts catalog lists parts and sub-assemblies provided as service parts. When it becomes necessary to replace parts, always use KAWASAKI GENUINE PARTS which have passed strict inspection which guarantees quality and performance.

1. HOW TO ORDER PARTS

- When ordering the parts, be sure to use the parts catalog corresponding to the product code. Check the product revision codes on the product and the catalog.
 Product Code (example) : FA130D-AA00
 Product Revision Code
- Specify the part code (all digits) exactly as listed in this catalog on your parts order.
- The parts not shown in the illustrations of this catalog are not sold separately; only the complete units or next higher assemblies illustrated are supplied as the service parts.

2. EXPLANATION OF PARTS CATALOG FORMAT

This catalog covers: **TH026D-□A10** (1)

This fig. covers: **01 CYLINDER/CRANKCASE** (2) (5) (7)

Ref. No.	Part No.	Description	Quantity
11005	11905-2137	CYLINDER-ENGINE	1
11060	11060-2402	BASKET-CYLINDER	1
11065	11065-2064	CAP	2
14002	14002-2327	CRANKCASE	1
14002A	14002-2328	CRANKCASE	1
34001	34001-2093	STAND	1
92009	92009-2115	SCREW	3
92043	92043-1302	PIN	2
92045	92045-2036	BEARING-BALL,6000C3	2
92049	92049-2074	SEAL-OIL	2
92150	92150-2091	BOLT	4

1 JUN 03,1999 EC110-A216A

1) Product Code

This code describes the product code covered by this catalog. The product revision code, which is a part of the product code, is omitted.

2) Part Group Title

This title is the representative name for the group of parts illustrated on the page.

3) Reference Number

The reference numbers are shown on the illustration and the list as the link between them.

This fig. covers:

PARTS LIST INFORMATION

4) Part Number

This is the key of your parts ordering. Three kinds of part number are used in this catalog.

- Structure 1
- Structure 2
- Standard Hardware Number
 (for bolts, nuts, washer, or the like)

5) Description and Additional Information

The part name, the location, the size, and the serial number as additional information, etc. are described here. Use them to find out and check the part required.

When a part number is changed without change of the product revision code and the changed parts are not interchangeable, the serial number of the product is noted as follows;

- (- FA130 - 100001) : Affected units are from beginning of the product of the product code up to and including this serial number.
 (FA130 - 100002 -) : Affected units are from this serial number and above.
 (FA130 - 100002 - FA130 - 110001) : Affected units are in this serial number range.

6) Quantity

The figure shows quantity of the part required at the indicated position on the illustration and for the specified product revision code.

The asterisk (*) on this column means the part can be used as the substitute on the product and is supplied until the stock is exhausted.

Note:Some small parts will be supplied by units.

Example: If six (6) bolts are ordered and the minimum quantity per unit is five (5), two (2), units of the bolt will be delivered.

7) Product Revision Code

This Code indicates an important change which affects the service parts interchangeability.

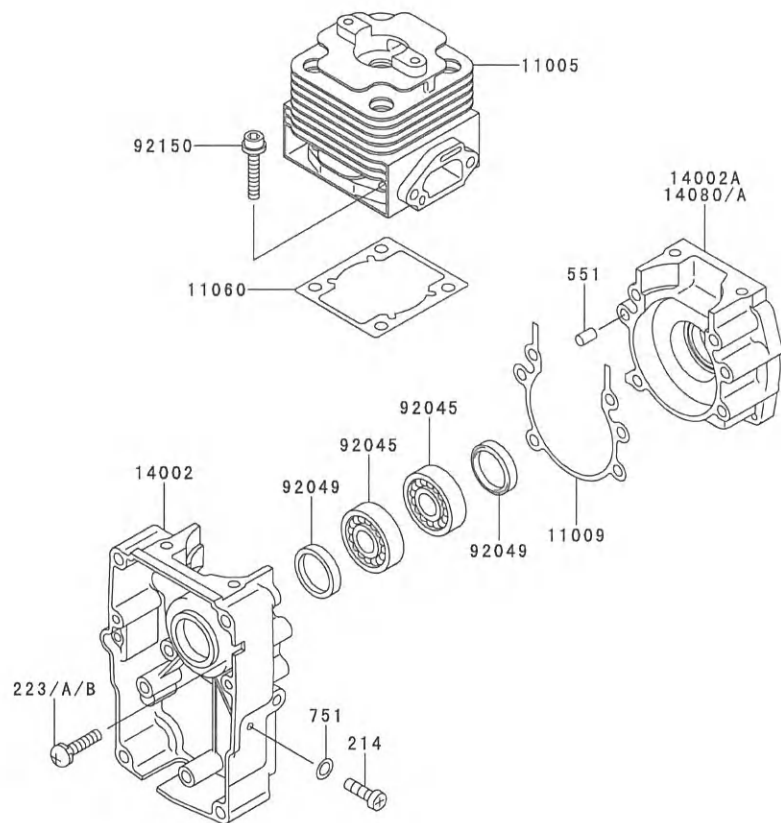
3. ABBREVIATIONS

#.....Number	FR.....Front	RH.....Right Hand
&.....And	G.....Gram	RPM.....Revolutions Per Minute
(+).....Plus	HEX.....Hexagonal	RR.....Rear
(-).....Minus	ID=.....Inside Diameter	STD.....Standard
2ND.....Second	IN.....Inch	T.....Teeth
3RD.....Third	L=.....Length	T=.....Thickness
4TH.....Fourth	LH.....Left Hand	U/S.....Under Size
A.....Ampere	LWR.....Lower	UPP.....Upper
AR.....As Required	MM.....Millimeter	V.....Volt
ASSY.....Assembly	O/S.....Over Size	W.....Watt
CNT.....Center	OD=.....Outside Diameter	
COMP.....Complete	REF.....Reference	

This catalog covers:
TEX54D- □ C50

01 This fig. covers:
CYLINDER/CRANKCASE

E0110-A318E

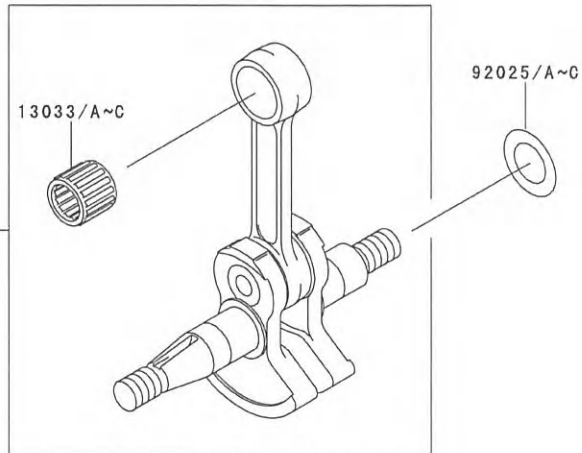
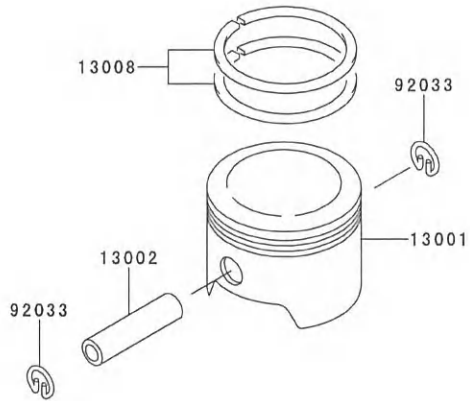


Ref. No.	Part No.	Description	Quantity			
			E	F	G	H
11005	11005-2129	CYLINDER-ENGINE	1	1	1	1
11009	11009-2521	GASKET,CRANKCASE	1	1	1	1
11060	11060-2350	GASKET,CYLINDER	1	1	1	1
14002	14002-2330	CRANKCASE	1	1	1	1
14002A	14002-2333	CRANKCASE	*			
14080	14080-2053	CRANKCASE		1	1	1
14080A	14080-2053	CRANKCASE	1			
92045	92045-2005	BEARING-BALL,6202C3	2	2	2	2
92049	92049-2076	SEAL-OIL	2	2	2	2
92150	92150-2294	BOLT	4	4	4	4
214	214AA0608	SCREW-PAN+,-,6X8	1	1	1	1
223	223AA0630	SCREW-PAN-WS-CROS,6X30		4	4	4
223A	223AA0630	SCREW-PAN-WS-CROS,6X30	4			
223B	223B0630	SCREW-PAN-WS-CROS,6X30	*			
551	551A0610	PIN-DOWEL,6X10	2	2	2	2
751	751Q0600	GASKET,6MM	1	1	1	1

This catalog covers:
TEX54D- □ C50

02 This fig. covers:
PISTON/CRANKSHAFT

E0120-A036J

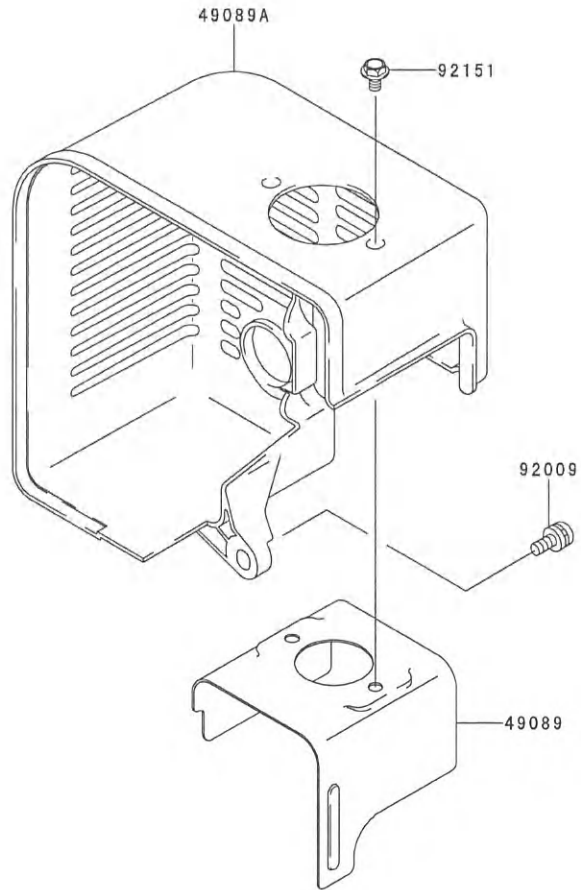


Ref. No.	Part No.	Description	Quantity			
			E	F	G	H
13001	13001-2103	PISTON-ENGINE	1	1	1	1
13002	13002-2067	PIN-PISTON	1	1	1	1
13008	13008-6044	RING-SET-PISTON	1	1	1	1
13033	13033-2005	BEARING-NEEDLE	1			
13033A	13033-2005	BEARING-NEEDLE		*		
13033B	13033-2061	BEARING-SMALL END			1	1
13033C	13033-2061	BEARING-SMALL END		1		
49119	49119-6203	CRANKSHAFT-ASSY	1	1		
49119A	49119-6203	CRANKSHAFT-ASSY			*	
49119B	49119-6210	CRANKSHAFT-ASSY				1
49119C	49119-6210	CRANKSHAFT-ASSY				1
92025	92025-2134	SHIM,T=0.10	AR	AR	AR	AR
92025A	92025-2135	SHIM,T=0.20	AR	AR	AR	AR
92025B	92025-2136	SHIM,T=0.40	AR	AR	AR	AR
92025C	92025-2137	SHIM,T=0.60	AR	AR	AR	AR
92033	92033-2058	RING-SNAP	2	2	2	2

This catalog covers:
TEX54D- □ C50

03 This fig. covers:
COOLING-EQUIPMENT

E0150-A203A

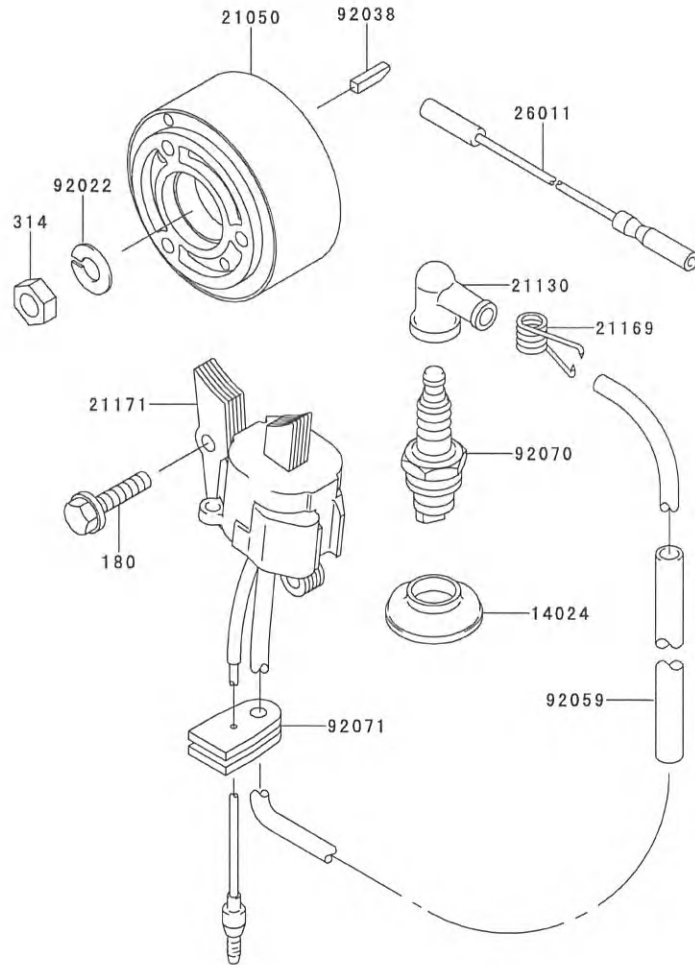


Ref. No.	Part No.	Description	Quantity			
			E	F	G	H
49089	49089-2242	SHROUD-ENGINE	1	1	1	1
49089A	49089-2457	SHROUD-ENGINE	1	1	1	1
92009	92009-2285	SCREW	1	1	1	1
92151	92151-2063	BOLT	2	2	2	2

This catalog covers:
TEX54D- □ C50

This fig. covers:
04 ELECTRIC-EQUIPMENT

E0160-A231A



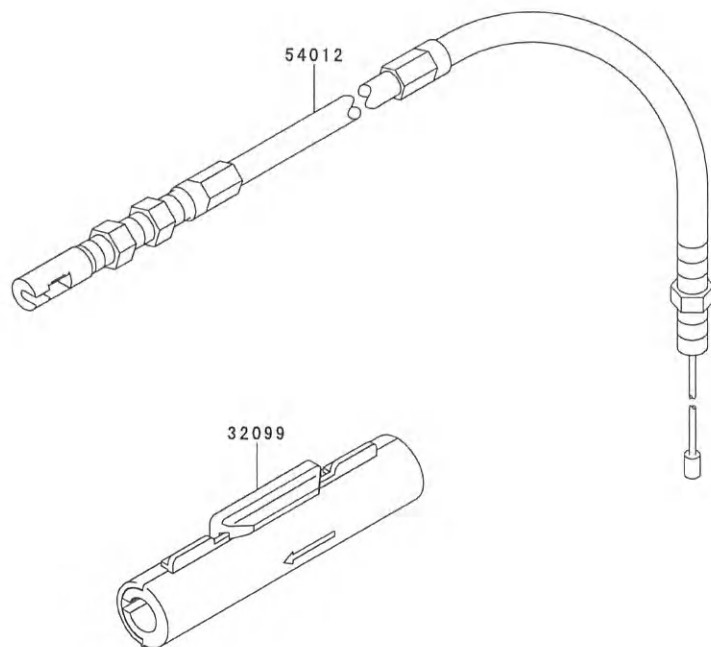
Ref. No.	Part No.	Description	Quantity			
			E	F	G	H
14024	14024-2084	COVER	1	1	1	1
21050	21050-2260	FLYWHEEL	1	1	1	1
21130	21130-2056	CAP-SPARK PLUG	1	1	1	1
21169	21169-2051	TERMINAL	1	1	1	1
21171	21171-2201	COIL-ASSY-IGNITION	1	1	1	1
26011	26011-2321	WIRE-LEAD	1	1	1	1
92022	92022-2147	WASHER	1	1	1	1
92038	92038-2078	KEY	1	1	1	1
92059	92059-2233	TUBE, 6X7.4X300	1	1	1	1
92070	92070-2107	PLUG-SPARK, BPMR7A(NGK), SOLID	1	1	1	1
92071	92071-2077	GROMMET	1	1	1	1
180	180AA0520	BOLT-UPSET-WS, 5X20	2	2	2	2
314	314R1000	NUT-HEX-FINE, 10MM	1	1	1	1

This catalog covers:
TEX54D- □ C50

05 This fig. covers:
CONTROL-EQUIPMENT

E0170-A228A

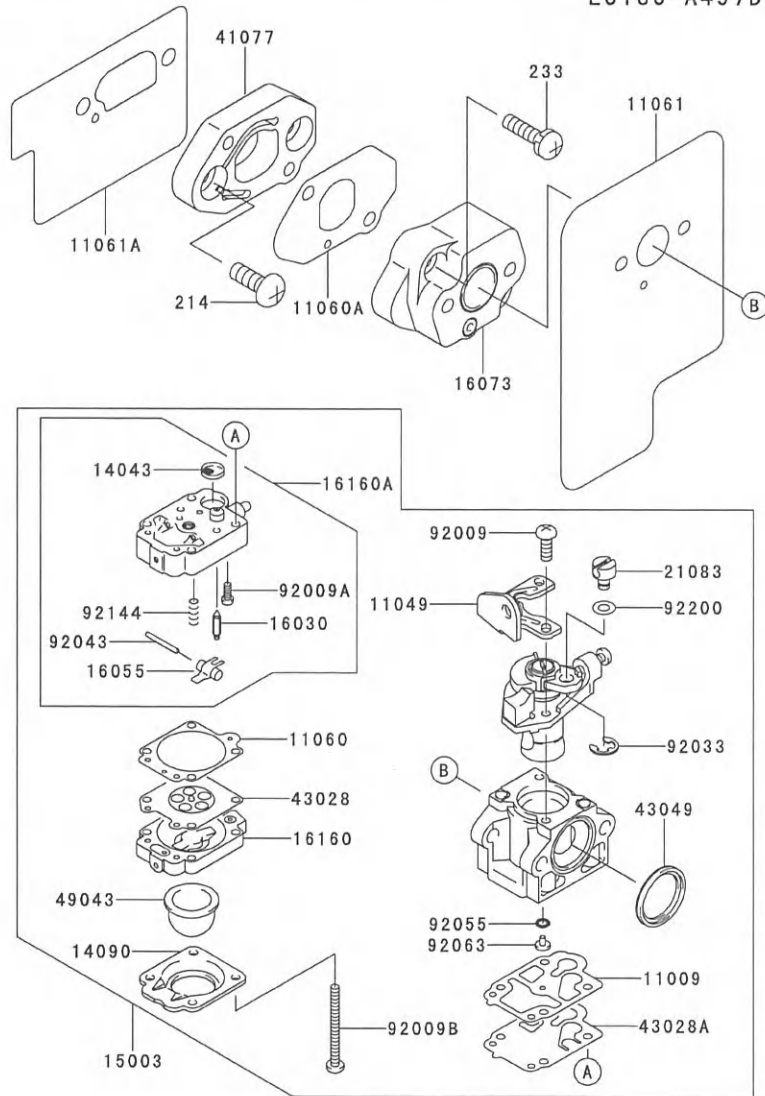
Ref. No.	Part No.	Description	Quantity			
			E	F	G	H
32099	32099-2326	CASE	1	1	1	1
54012	54012-2578	CABLE-THROTTLE	1	1	1	1



This catalog covers:
TEX54D- □ C50

06 This fig. covers:
CARBURETOR

E0180-A497D

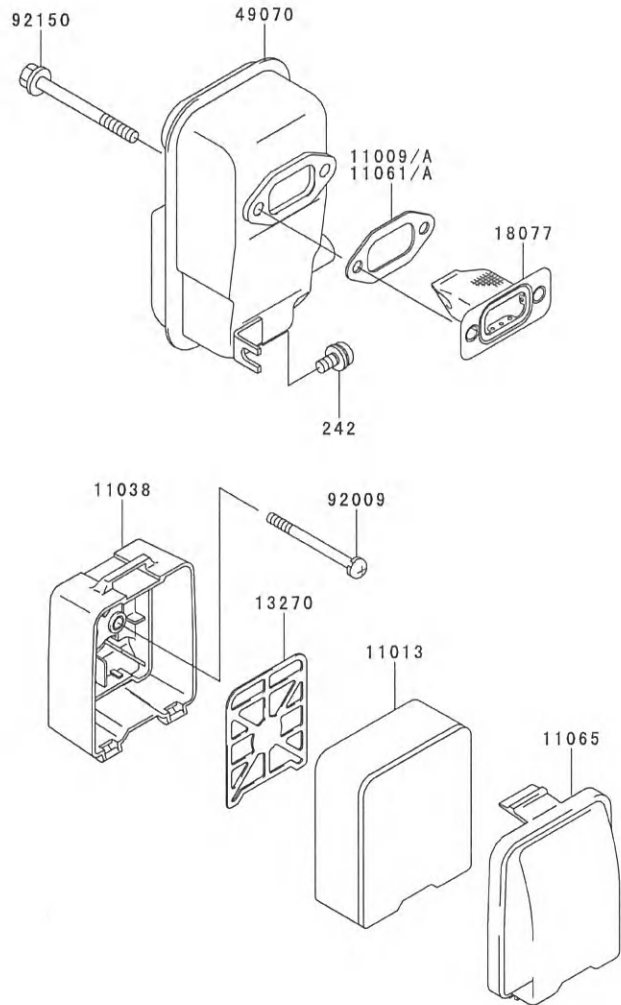


Ref. No.	Part No.	Description	Quantity			
			E	F	G	H
11009	11009-2757	GASKET	1	1	1	1
11049	11049-2006	BRACKET	1	1	1	1
11060	11060-2111	GASKET	1	1	1	1
11060A	11060-2387	GASKET	1	1	1	1
11061	11061-2108	GASKET,INSULATOR=CARBURETOR	1	1	1	1
11061A	11061-2109	GASKET,CYLINDER=ADAPTER	1	1	1	1
14043	14043-2051	FILTER	1	1	1	1
14090	14090-2017	COVER,PRIMER PUMP	1	1	1	1
15003	15003-2692	CARBURETOR-ASSY	1	1	1	1
16030	16030-2078	VALVE-FLOAT	1	1	1	1
16055	16055-2051	LEVER	1	1	1	1
16073	16073-2213	INSULATOR	1	1	1	1
16160	16160-2089	BODY	1	1	1	1
16160A	16160-2101	BODY	1	1	1	1
21083	21083-2073	ARM	1	1	1	1
41077	41077-2067	ADAPTER	1	1	1	1
43028	43028-2054	DIAPHRAGM	1	1	1	1
43028A	43028-2067	DIAPHRAGM	1	1	1	1
43049	43049-2060	PACKING	1	1	1	1
49043	49043-2067	PUMP-PRIMING	1	1	1	1
92009	92009-2277	SCREW	2	2	2	2
92009A	92009-2336	SCREW	1	1	1	1
92009B	92009-2337	SCREW	4	4	4	4
92033	92033-2078	RING-SNAP	1	1	1	1
92043	92043-2094	PIN	1	1	1	1
92055	92055-2147	RING-O	1	1	1	1
92063	92063-2365	JET-MAIN,#52	1	1	1	1
92144	92144-2308	SPRING	1	1	1	1
92200	92200-2074	WASHER	1	1	1	1
214	214AA0616	SCREW-PAN+,-.6X16	2	2	2	2
233	233AA0520	SCREW-PAN-WP+,-.5X20	2	2	2	2

This catalog covers:
TEX54D- □ C50

07 This fig. covers:
AIR-FILTER/MUFFLER

E0190-A312B

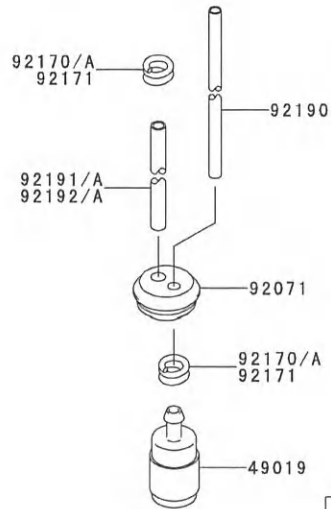


Ref. No.	Part No.	Description	Quantity			
			E	F	G	H
11009	11009-2774	GASKET,MUFFLER	1	1		
11009A	11009-2774	GASKET,MUFFLER			*	
11013	11013-2179	ELEMENT-AIR FILTER	1	1	1	1
11038	11038-2057	CASE-ASSY-AIR FILTER	1	1	1	1
11061	11061-2207	GASKET,MUFFLER				1
11061A	11061-2207	GASKET,MUFFLER			1	
11065	11065-2051	CAP,AIR FILTER	1	1	1	1
13270	13270-2112	PLATE,AIR FILTER	1	1	1	1
18077	18077-2108	ARRESTER-SPARK	1	1	1	1
49070	49070-2697	MUFFLER-COMP	1	1	1	1
92009	92009-2274	SCREW	2	2	2	2
92150	92150-2180	BOLT,6X65	2	2	2	2
242	242AA0614	SCREW-PAN-WSP+,-,6X14	1	1	1	1

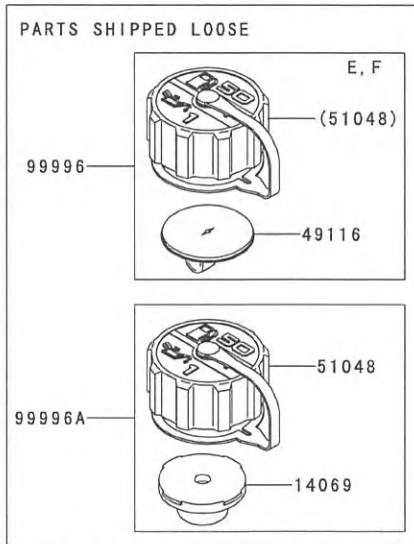
This catalog covers:
TEX54D- □ C50

This fig. covers:
08 FUEL-TANK/FUEL-VALVE

E0200-A634B



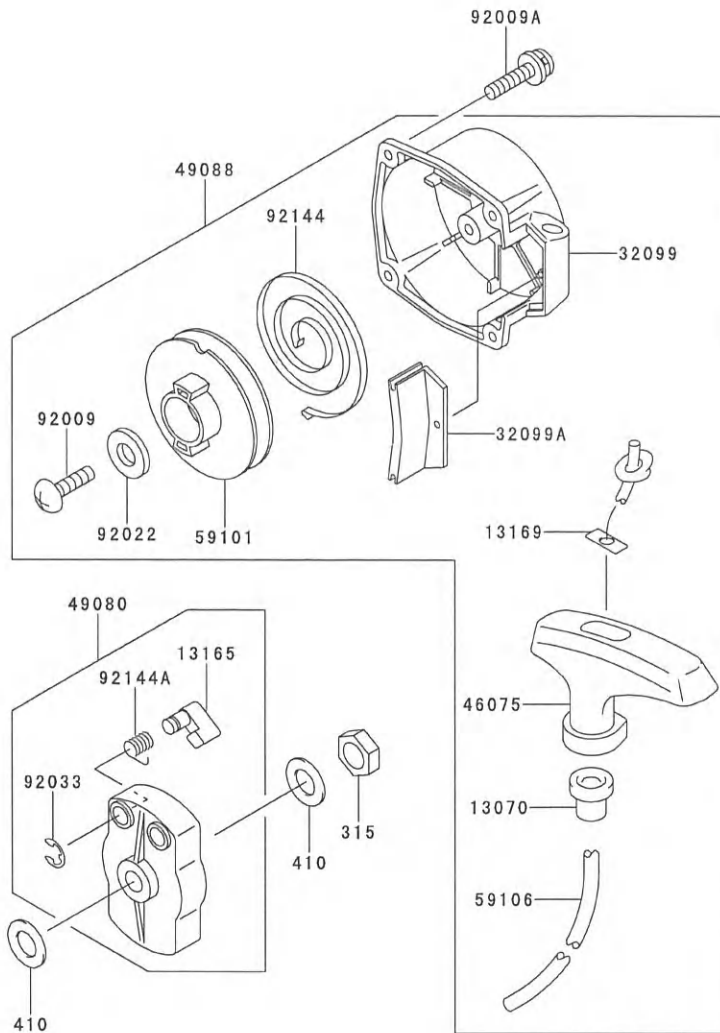
Ref. No.	Part No.	Description	Quantity			
			E	F	G	H
14069	14069-2088	BREATHER			1	1
49019	49019-2085	FILTER-FUEL	1	1	1	1
49116	49116-2064	VALVE-ASSY	1	1		
51048	51048-2078	CAP-ASSY-TANK	1	1	1	1
92071	92071-2142	GROMMET,FUEL TANK	1	1	1	1
92170	92170-2080	CLAMP,FUEL FILTER	2	2	2	
92170A	92170-2080	CLAMP,FUEL FILTER				*
92171	92171-2073	CLAMP				2
92190	92190-2164	TUBE,3X5X250	1	1	1	1
92191	92191-2049	TUBE,3X6X130	1	1		
92191A	92191-2049	TUBE,3X6X130				*
92192	92192-2144	TUBE,3X6X130				1
92192A	92192-2144	TUBE,3X6X130			1	
99996	99996-6060	KIT,CAP-ASSY-TANK	1	1		
99996A	99996-6086	KIT,CAP-ASSY-TANK			1	1



This catalog covers:
TEX54D- □ C50

09 This fig. covers:
STARTER

E0210-A141E



Ref. No.	Part No.	Description	Quantity			
			E	F	G	H
13070	13070-2064	GUIDE,ROPE	1	1	1	1
13165	13165-2070	PAWL,RECOIL STARTER	1	1	1	1
13169	13169-2386	PLATE,RECOIL STARTER	1	1	1	1
32099	32099-2135	CASE,RECOIL STARTER	1	1	1	1
32099A	32099-2136	CASE,RECOIL STARTER	1	1	1	1
46075	46075-2067	GRIP,RECOIL STARTER	1	1	1	1
49080	49080-2136	PULLEY-STARTING	1	1	1	1
49088	49088-2311	STARTER-RECOIL	1	1	1	1
59101	59101-2074	REEL,RECOIL STARTER	1	1	1	1
59106	59106-2092	ROPE,3.8X1150	1	1	1	1
92009	92009-2218	SCREW,5X12	1	1	1	1
92009A	92009-2386	SCREW,4X16	4	4	4	4
92022	92022-2237	WASHER	1	1	1	1
92033	92033-2010	RING-SNAP	1	1	1	1
92144	92144-2040	SPRING,RECOIL	1	1	1	1
92144A	92144-2046	SPRING,RETURN	1	1	1	1
315	315AA1000	NUT-HEX-FINE,10MM	1	1	1	1
410	410AA1000	WASHER-PLAIN-SMALL,10MM	2	2	2	2